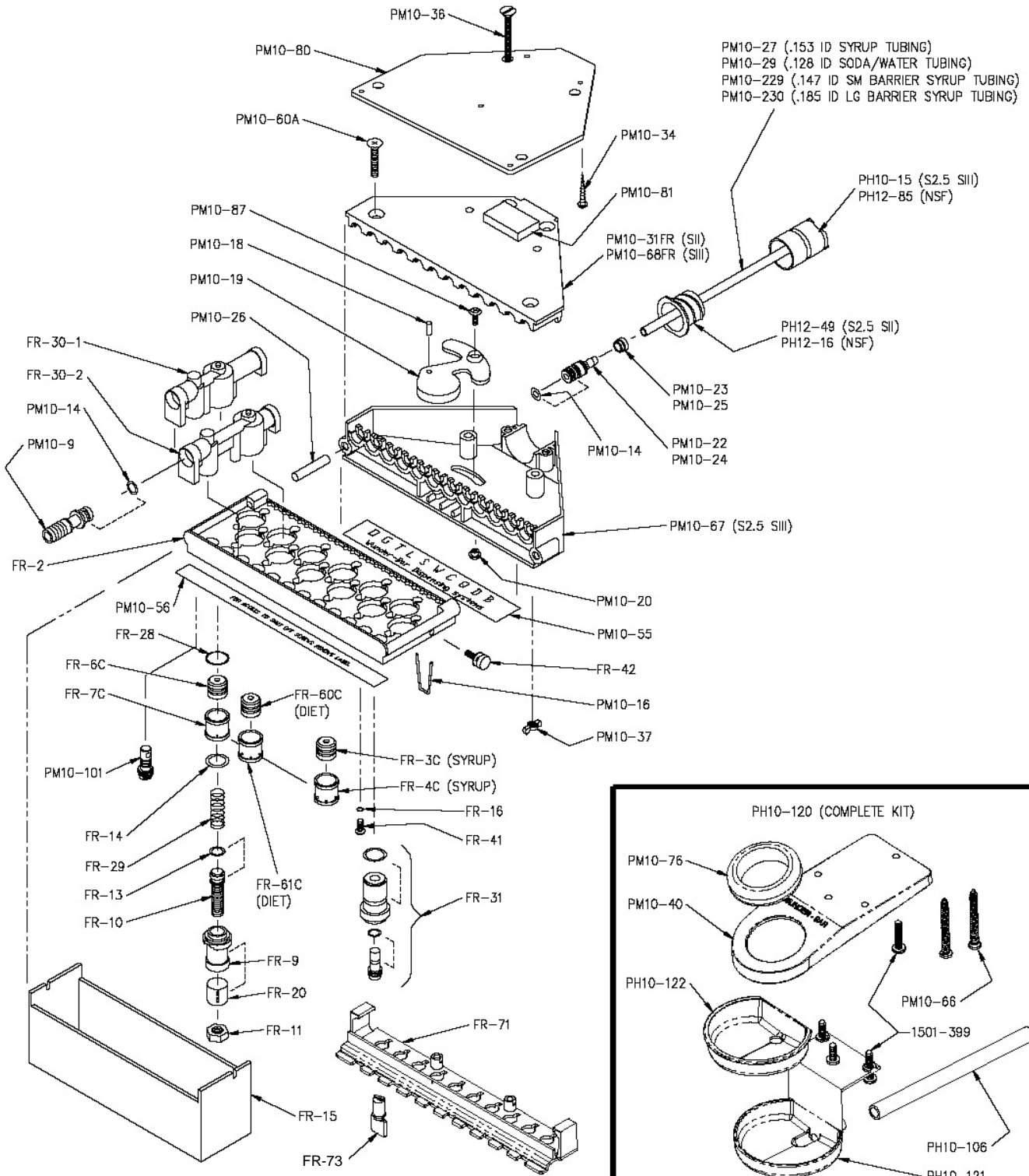


MARK 4 10-BUTTON POST MIX MANIFOLD W/FLOW CONTROL

JOB:

ITEM#:



0550081.DWG / 5 APR 2010

Wunder-Bar

Dispensing Systems

AUTOMATIC BAR CONTROLS, INC.
 790 EUBANKS DRIVE
 VACAVILLE, CA 95688

PHONE: (707) 448-5151
 FAX : (707) 448-1521

www.wunderbar.com