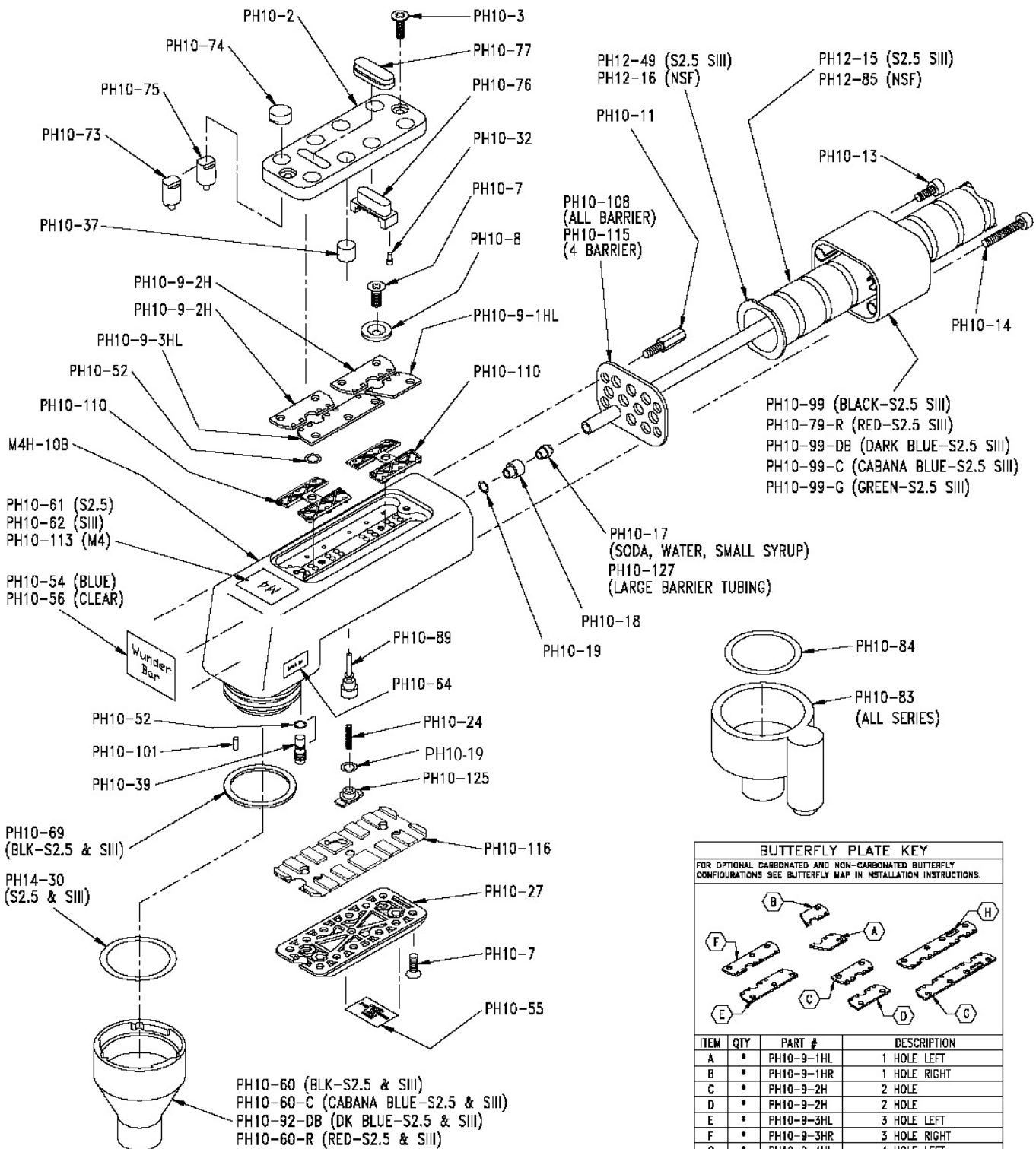


MARK 4 10-BUTTON POST MIX HANDLE

JOB:

ITEM#:



BUTTERFLY PLATE KEY

FOR OPTIONAL CARBONATED AND NON-CARBONATED BUTTERFLY CONFIGURATIONS SEE BUTTERFLY MAP IN INSTALLATION INSTRUCTIONS.

ITEM	QTY	PART #	DESCRIPTION
A	*	PH10-9-1HL	1 HOLE LEFT
B	*	PH10-9-1HR	1 HOLE RIGHT
C	*	PH10-9-2H	2 HOLE
D	*	PH10-9-2H	2 HOLE
E	*	PH10-9-3HL	3 HOLE LEFT
F	*	PH10-9-3HR	3 HOLE RIGHT
G	*	PH10-9-4HL	4 HOLE LEFT
H	*	PH10-9-4HR	4 HOLE RIGHT

0550075.DWG / 03-31-2010

Wunder - Bar Dispensing Systems

AUTOMATIC BAR CONTROLS, INC.
790 EUBANKS DRIVE
VACAVILLE, CA 95688

PHONE: (707) 448-5151
FAX : (707) 448-1521
www.wunderbar.com