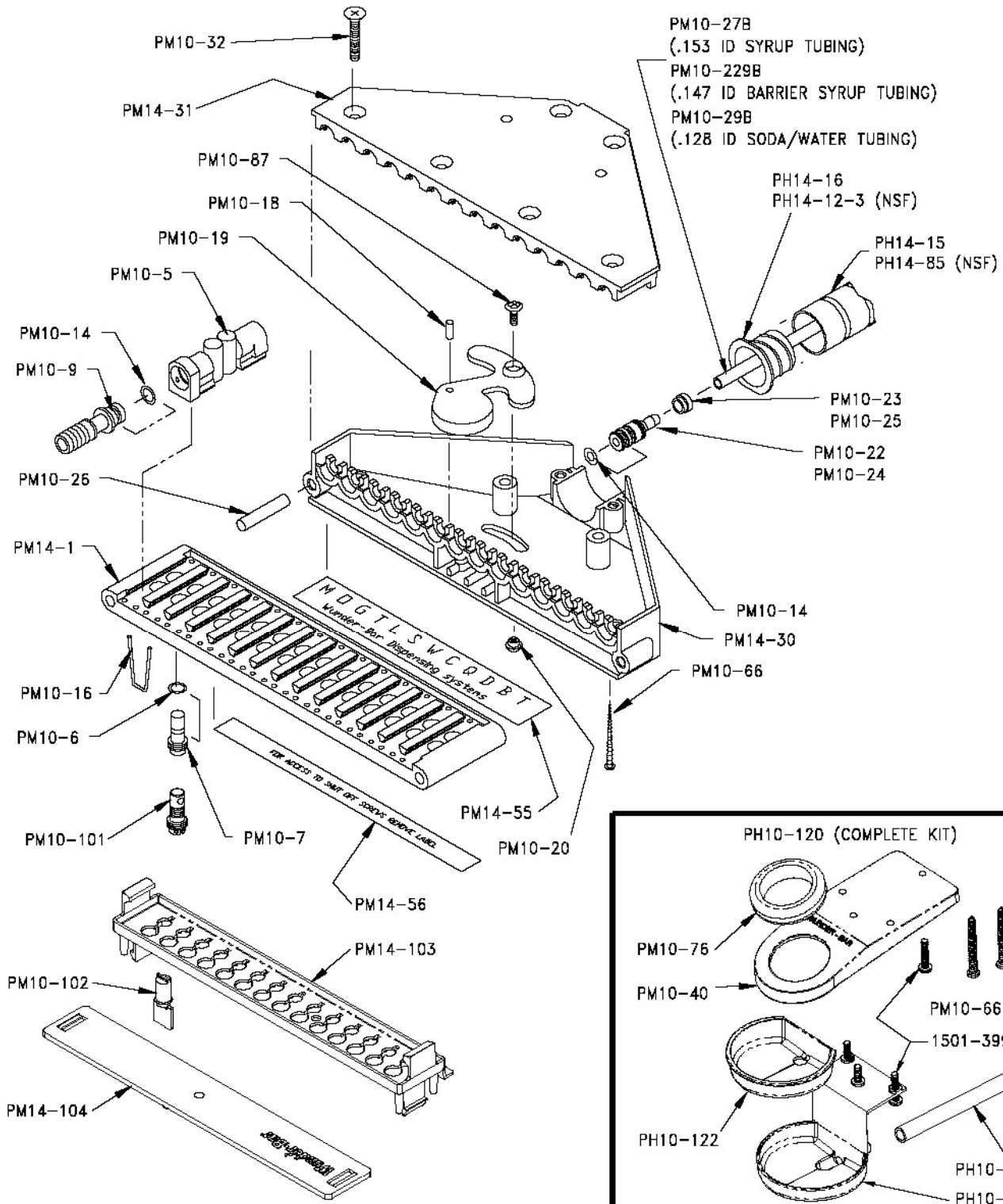


MARK 4 14-BUTTON POST MIX MANIFOLD

JOB:

ITEM#:



0550080.DWG / 05 APR 2010

Wunder-Bar

Dispensing Systems

AUTOMATIC BAR CONTROLS, INC.
790 EUBANKS DRIVE
VACAVILLE, CA 95688

PHONE: (707) 448-5151
FAX : (707) 448-1521

www.wunderbar.com