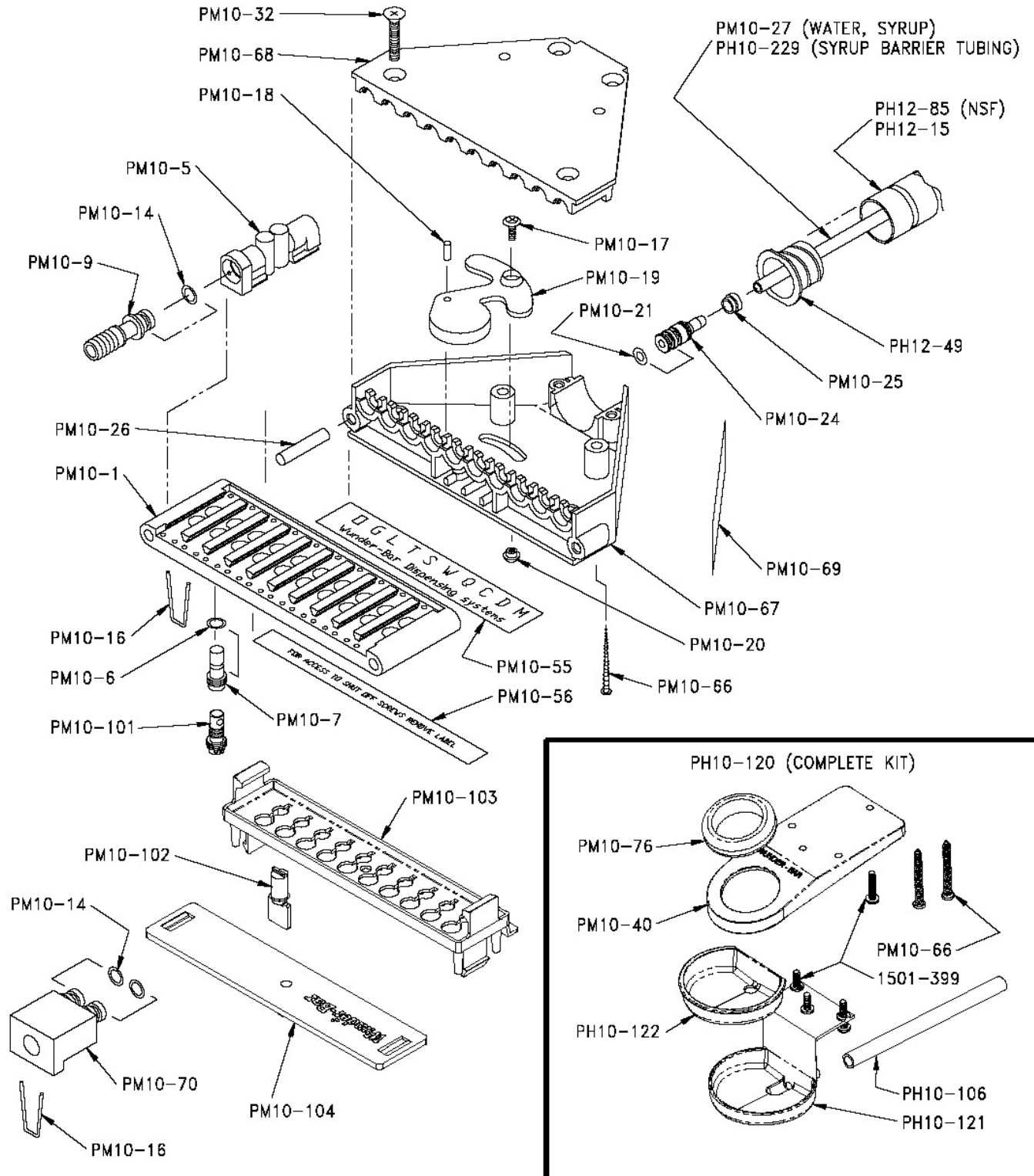


# MARK 4 6 & 8 BUTTON JUICE MANIFOLD

JOB:

ITEM#:



0550086.DWG / 8 APR 2010

## Wunder-Bar Dispensing Systems

AUTOMATIC BAR CONTROLS, INC.  
790 EUBANKS DRIVE  
VACAVILLE, CA 95688

PHONE: (707) 448-5151  
FAX : (707) 448-1521  
[www.wunderbar.com](http://www.wunderbar.com)