

Specifications:

MODEL NUMBER : 8025-933-399

PUMP DESIGN: Positive Displacement 3 Chamber Diaphragm Pump

CAM : 3.0 Degree

MOTOR: Permanent Magnet, P/N 11-195-01, Thermally Protected

VOLTAGE: 115 VAC Nominal

PRESSURE SWITCH: Adjustable Shut-Off (Range 80-100 PSI)

Factory Set @ 95 PSI Turn On 75 PSI \pm 5 PSI

LIQUID TEMPERATURE: 180 Degrees Fahrenheit (82 Degrees Centigrade) Max.

PRIME: Self-Priming Up to 12 Ft. vertical,

Max. Inlet Pressure 80 PSI

PORTS: SHURflo Quick Disconnect

MATERIAL OF CONSTRUCTION:

PLASTICS - Nylon

VALVES - Food grade Viton

DIAPHRAGM - Santoprene

FASTENERS – Zinc Plated Steel

NET WEIGHT: 5.3 Lbs. (2.4 Kg)

DUTY CYCLE: Intermittent (See Temperature Rise Chart)

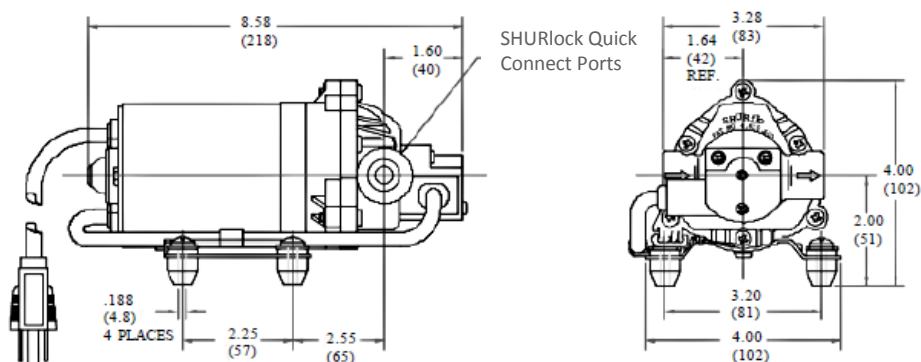
TYPICAL APPLICATIONS: Water Delivery

BYPASS: NONE

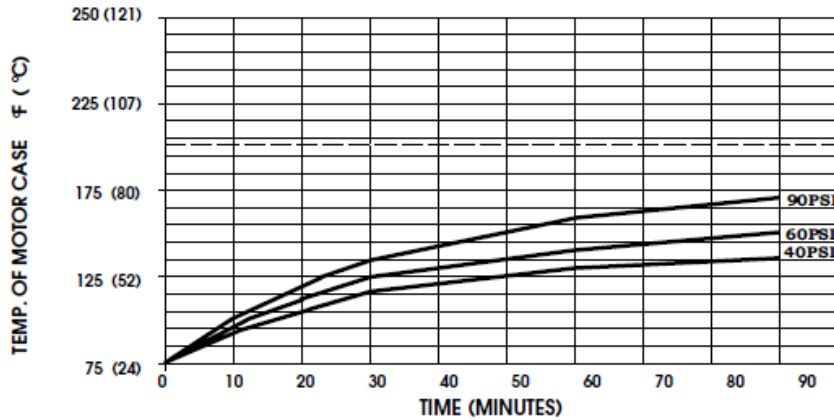
APPROVALS: NSF/ UL / CSA Listed



Dimensions



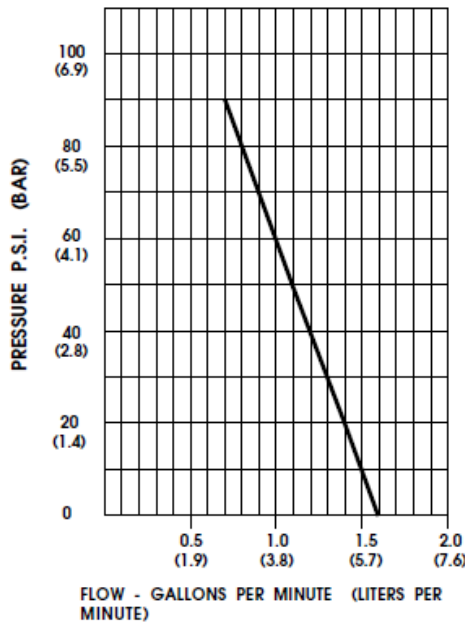
TEMPERATURE RISE



THIS GRAPH IS FOR USE AS A DESIGN GUIDE. IT IS BASED ON RUNNING CONTINUOUSLY WITH AN AMBIENT TEMPERATURE OF 75° F IN STILL AIR. THE THERMAL BREAKER WILL OPEN WHEN THE CASE TEMPERATURE REACHES 203° F.

[----- TRIP POINT OF THERMAL PROTECTOR]

TYPICAL PERFORMANCE



PRESSURE (PSI)	FLOW (GPM/LIT)	RPM MIN/MAX	CURRENT (AMPS)	VOLTAGE (VOLTS)
OPEN	1.60/6.0	2100/2185	0.36	115VAC
10	1.50/5.7	2045/2105	0.42	"
20	1.42/5.4	1965/2020	0.48	"
30	1.34/5.1	1895/1945	0.55	"
40	1.26/4.8	1825/1880	0.61	"
50	1.19/4.5	1760/1815	0.67	"
60	1.13/4.3	1705/1755	0.73	"
70	1.06/4.0	1645/1705	0.79	"
80	0.93/3.5	1595/1650	0.84	"
90	0.68/2.6	1550/1600	0.90	"

-SPECIFICATIONS SUBJECT TO CHANGE WITHOUT NOTICE.

-ALL DATA BASED ON TESTING WITH WATER AT AMBIENT TEMPERATURE.

Limited Warranty

SHURflo's 8025 Series (8025-933-399) is warranted to be free of defects in material and workmanship under normal use, for a period of one (1) year from the date of manufacture, or one (1) year of use, with proof of purchase. This limited warranty will not exceed two (2) years, in any event. The limited warranty will not apply to 8000 Series that were improperly installed, misapplied, or incompatible with fluids or components not manufactured by SHURflo. Failure due to foreign debris is not covered under the terms of this limited warranty. SHURflo will not warrant any 8025 Series which is damaged or modified outside the Pentair Filtration Solutions factory.

Returns are to be shipped postage prepaid to the authorized distributor where purchased. SHURflo shall not be liable for freight damage incurred during shipping, package returns carefully. No credit or labor allowances will be given to the returnee for products returned as defective. Warranty replacements will be shipped on a freight allowed basis. SHURflo reserves the right to choose the method of transportation. This limited warranty is in lieu of all other warranties, expressed or implied, and no other person is authorized to give any other warranty or assume obligation or liability on SHURflo's behalf. SHURflo shall not be liable for any labor, damage or other expense, nor shall SHURflo be liable for any indirect, incidental or consequential damages of any kind incurred by the reason of the use or sale of any defective product or part. This limited warranty covers beverage products distributed within the United States of America. Other countries should consult with the distributor for any deviation from this document.