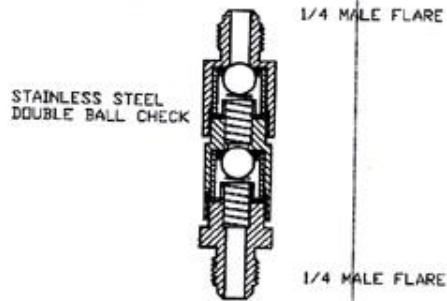




P.O. BOX 5226
Central Point OR, 97502
United States

ASSE 1032 APPROVED S/S BACK FLOW PREVENTORS



S470D-____SERIES
S/S DOUBLE BALL
CHECK, ASSE 1032

VARIES INLET AND OUTLET THREADS
ARE AVAILABLE.